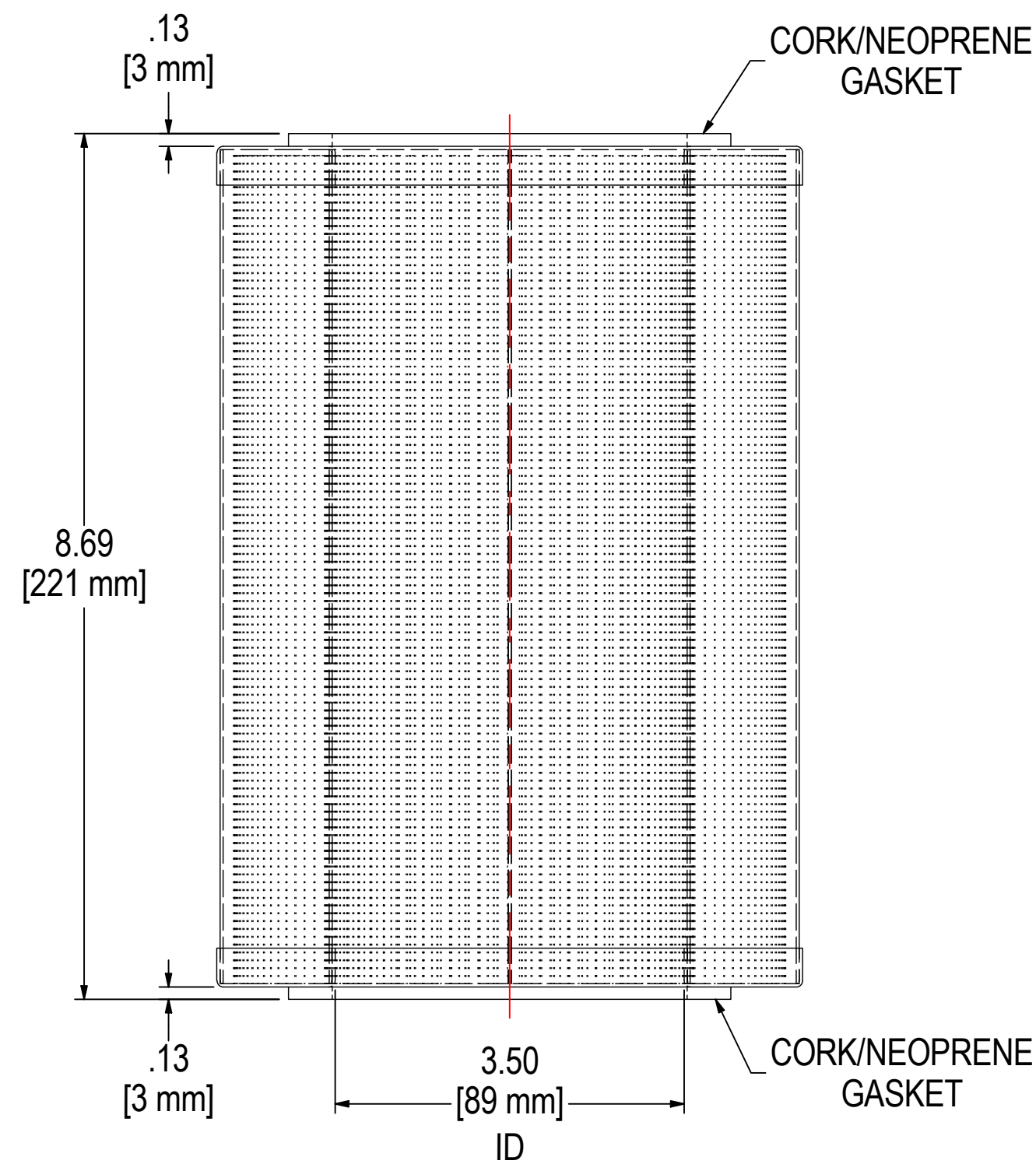
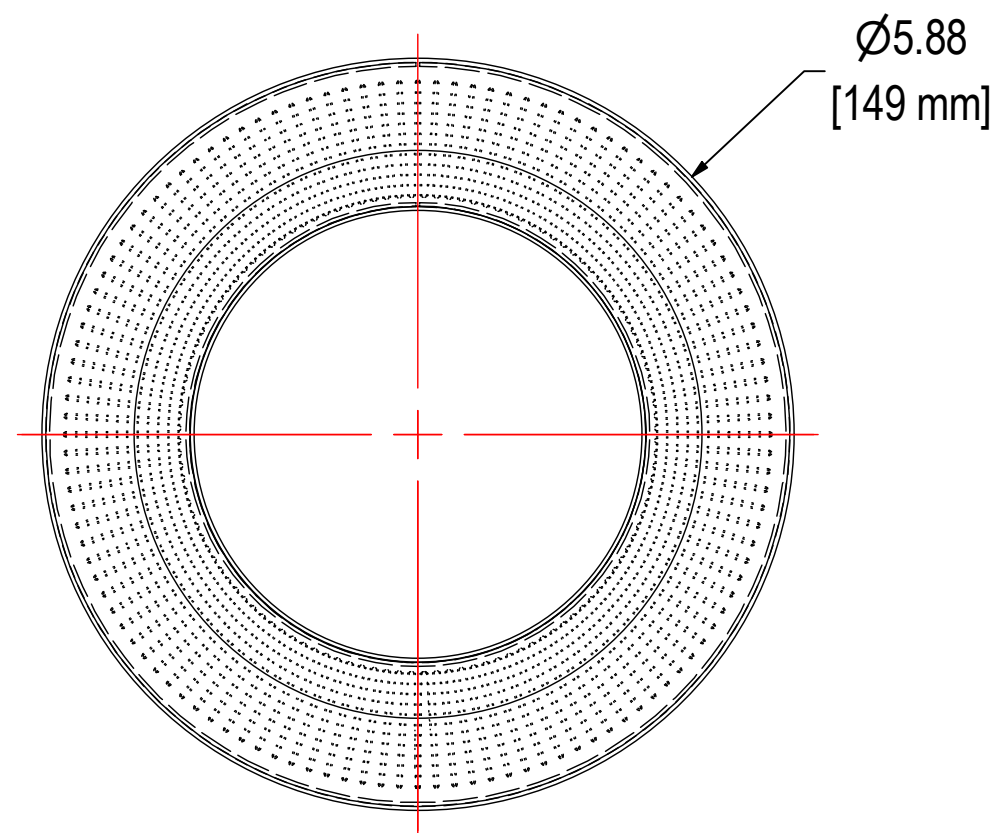


REV	DESCRIPTION	ECN #	CHG BY	DATE	APP'D
A	CONVERTED TO 3D	PER MJC	NAD	07/14/16	EZR
B	UPDATED STANDARD LAYOUT	17839	TAS	12/04/19	NAD



ELEMENT SPECS		
PART NUMBER	850	
MATERIAL	PAPER	
FLOW RATE	290 CFM	493 m ³ /hr
SURFACE AREA	13.1 ft ²	1.2 m ²
I.D.	3.50"	89mm
O.D.	5.88"	149mm
HEIGHT	8.69"	221mm